

Addendum #1

Date: Tuesday, July 19, 2017

This addendum forms part of the Tender Documents and shall be read, interpreted, and coordinated with all other parts. The costs of all elements contained herein shall be included in the submission. The following revisions, changes, corrections, additions, and or deletions supersede the information contained in the original Documents, to the extent referenced, and shall become part thereof.

Huxley Community Park Playground and Park Improvements

Questions: Play Structure, Fence, Block

Contract Title	<u>Huxley Community Park Playground and Park Improvements</u>	Ref#	<u>HCP15</u>
----------------	---	------	--------------

1. Is the play structure direct bury or surface mount?

Direct bury is recommended. Landscape Structures Play Motion installation guide is attached.

2. Does the Tree retention fencing go all the way around the area, as in along the property line as well?

A. Fencing along the property line is not required. The there is a grade change (rock face) at the property edge making it inaccessible.

3. What type of Allan block is going to be used? Standard is 6 degree grey block and cap?

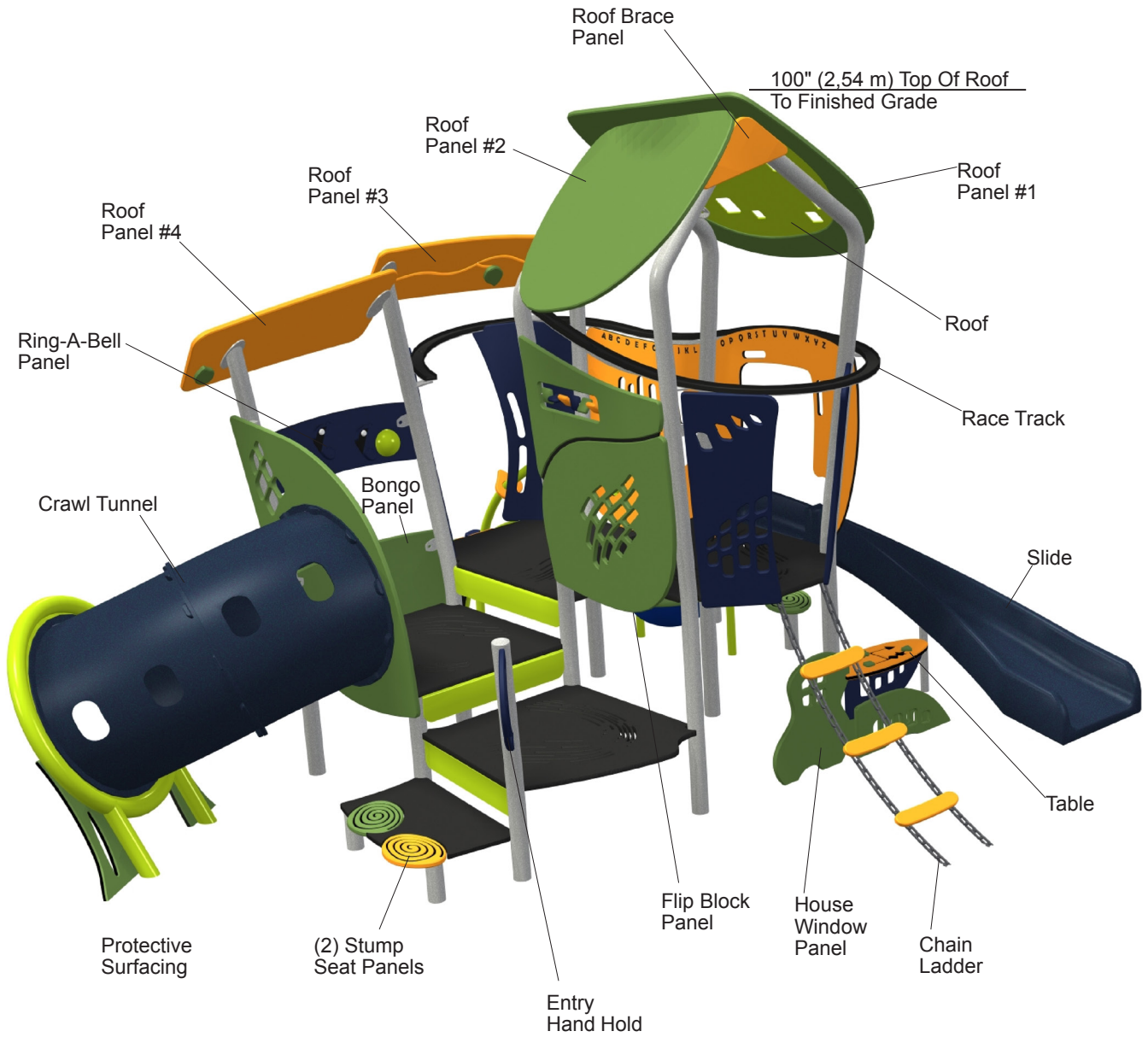
A. The block is AB Classic (6 degree setback). Grey colour . Product brochure attached for information.

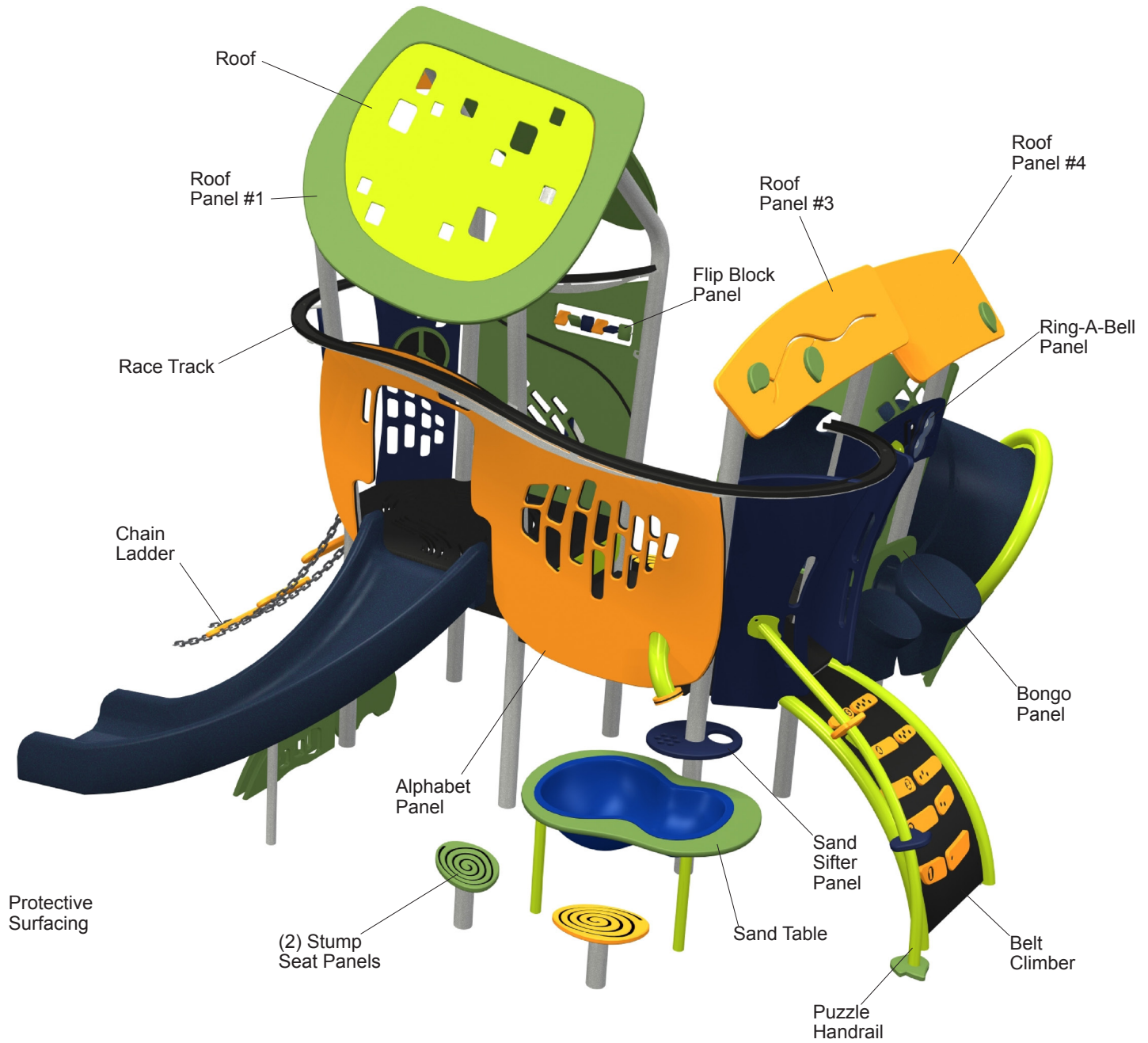
JG
initial

Attachments (2): Play Structure Specification (26 pages) and AB Classic Brochure (2 pages).

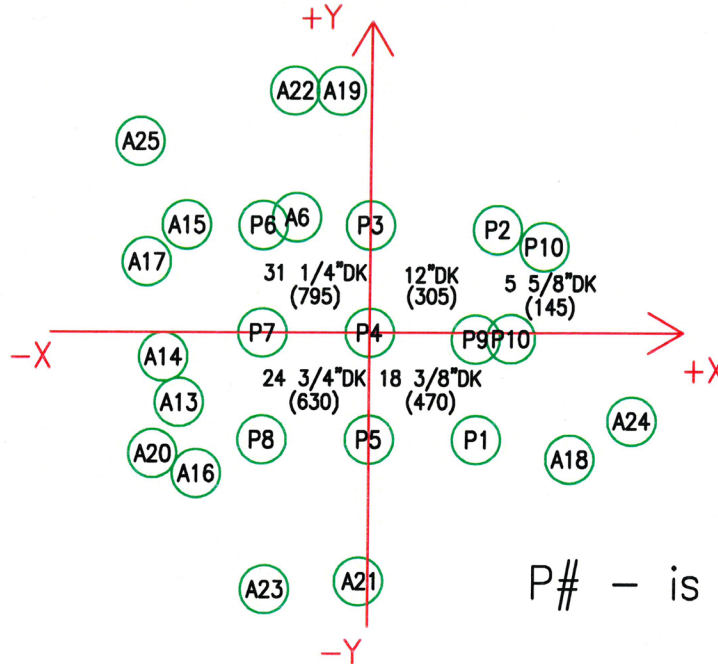
End of Addendum

Acknowledgement of this addendum in your Tender submission is required.





PLAN VIEW /FOOTING LAYOUT

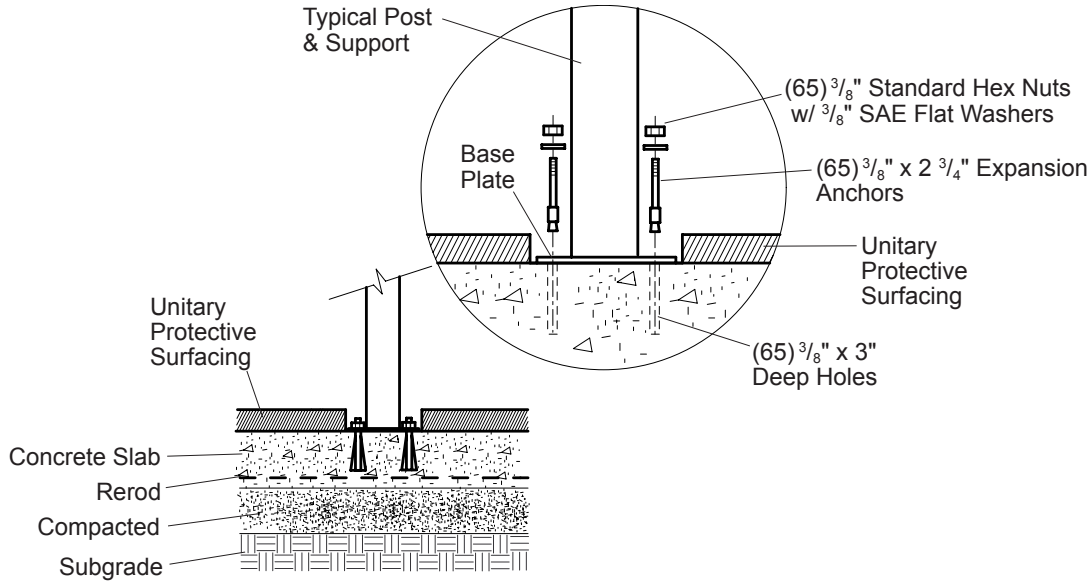


P# - is the POST Number

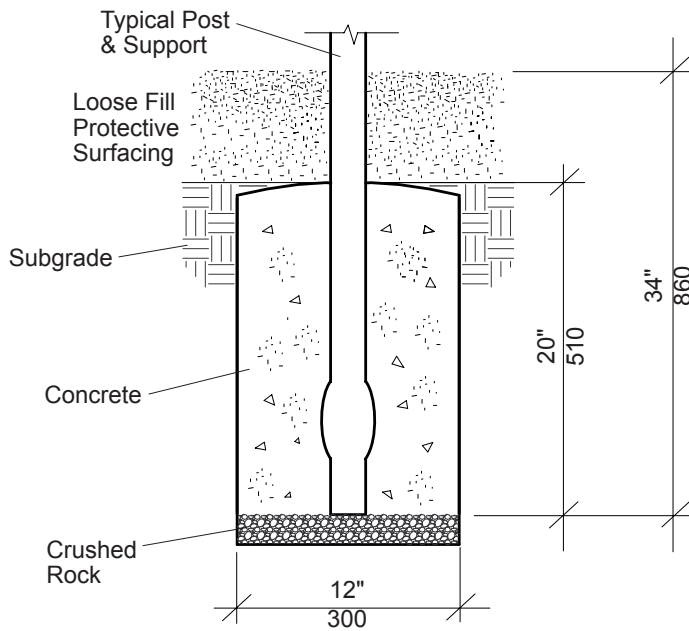
N.	I.D.	X (cm)	Y (cm)	Dist. to O	DIA (cm)
1	P4	0	0	0	30
2	P9	67	-4	67	30
3	P5	0	-67	67	30
4	P7	-67	0	67	30
5	P3	0	67	67	30
6	A6	-46	72	86	30
7	P10	89	-4	89	30
8	P8	-67	-67	95	30
9	P1	67	-67	95	30
10	P6	-67	67	95	30
11	P2	80	65	103	30
12	P10	109	54	122	30
13	A13	-119	-44	127	30
14	A14	-130	-15	130	30
15	A15	-115	67	134	30
16	A16	-108	-89	140	30
17	A17	-140	44	147	30
18	A18	126	-79	149	30
19	A19	-19	152	153	30
20	A20	-136	-76	156	30
21	A21	-6	-156	156	30
22	A22	-48	152	159	30
23	A23	-65	-162	174	30
24	A24	165	-55	174	30
25	A25	-145	120	188	30

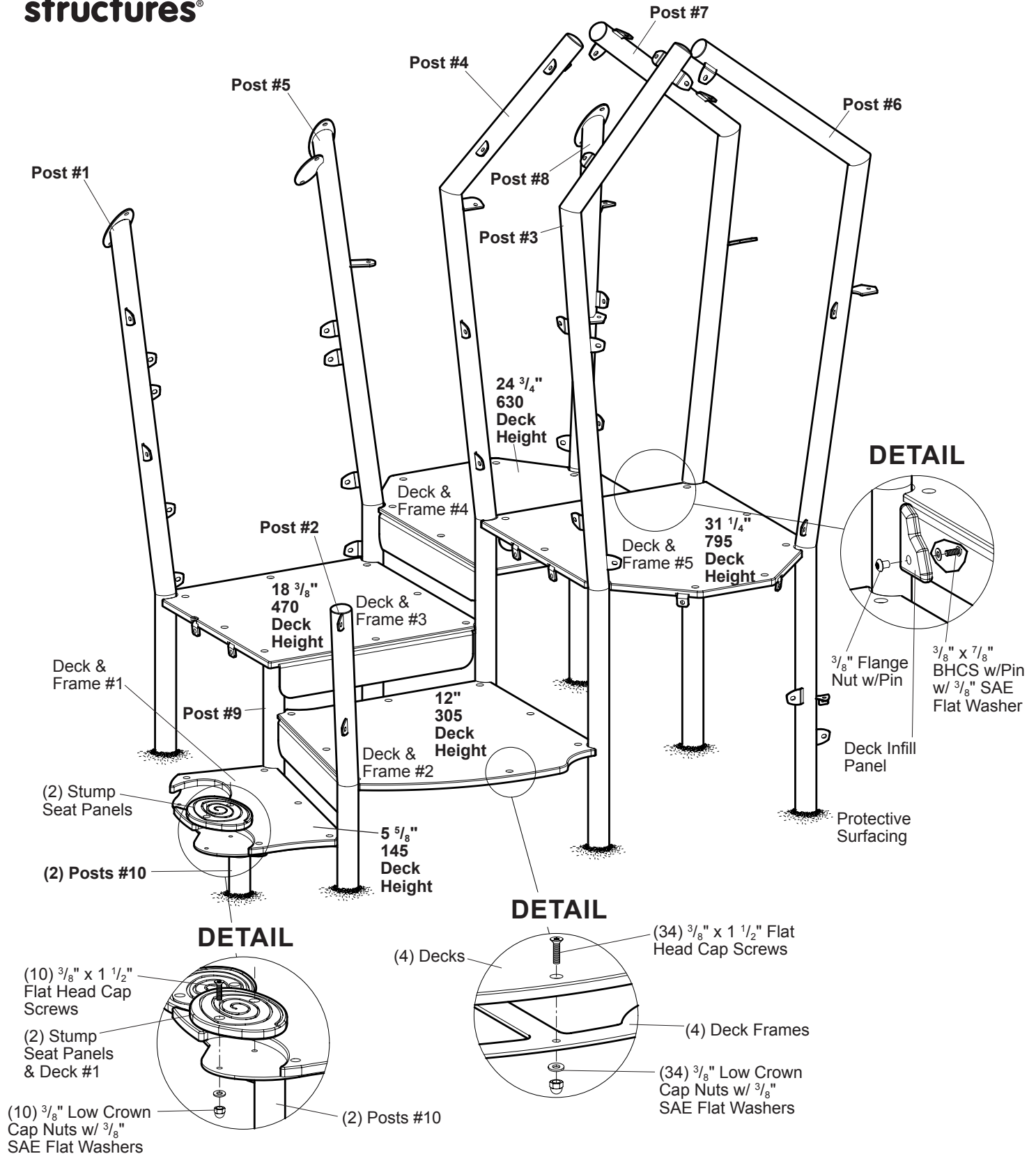
N.	I.D.	X (ft-in)	Y (ft-in)	Dist. to O	DIA (in)
1	P4	0"	0"	0"	12
2	P9	2'-2"	-2"	2'-2"	12
3	P5	0"	-2'-3"	2'-3"	12
4	P7	-2'-3"	0"	2'-3"	12
5	P3	0"	2'-3"	2'-3"	12
6	A6	-1'-6"	2'-4"	2'-10"	12
7	P10	2'-11"	-1"	2'-11"	12
8	P8	-2'-3"	-2'-3"	3'-1"	12
9	P1	2'-3"	-2'-3"	3'-1"	12
10	P6	-2'-3"	2'-3"	3'-1"	12
11	P2	2'-8"	2'-1"	3'-4"	12
12	P10	3'-7"	1'-9"	4'	12
13	A13	-3'-11"	-1'-5"	4'-2"	12
14	A14	-4'-3"	-6"	4'-3"	12
15	A15	-3'-9"	2'-3"	4'-5"	12
16	A16	-3'-7"	-2'-11"	4'-7"	12
17	A17	-4'-7"	1'-5"	4'-10"	12
18	A18	4'-2"	-2'-7"	4'-11"	12
19	A19	-8"	5'	5'	12
20	A20	-4'-6"	-2'-6"	5'-1"	12
21	A21	-2"	-5'-2"	5'-2"	12
22	A22	-1'-7"	5'	5'-3"	12
23	A23	-2'-2"	-5'-4"	5'-9"	12
24	A24	5'-5"	-1'-10"	5'-9"	12
25	A25	-4'-9"	3'-11"	6'-2"	12

**DETAIL
SURFACE MOUNT**



**DETAIL
DIRECT BURY**





Posts & Decks

Specifications

Part#	Description	Qty.
196425	Post #1, Specify Color (SM)	1
197094	Post #1, Specify Color (DB).....	1
196424	Post #2, Specify Color (SM)	1
197095	Post #2, Specify Color (DB).....	1
196426	Post #3, Specify Color (SM)	1
197096	Post #3, Specify Color (DB).....	1
196427	Post #4, Specify Color (SM)	1
197097	Post #4, Specify Color (DB).....	1
196428	Post #5, Specify Color (SM)	1
197098	Post #5, Specify Color (DB).....	1
196429	Post #6, Specify Color (SM)	1
197099	Post #6, Specify Color (DB).....	1
196431	Post #7, Specify Color (SM)	1
197100	Post #7, Specify Color (DB).....	1
196432	Post #8, Specify Color (SM)	1
197101	Post #8, Specify Color (DB).....	1
196524	Post #9, Specify Color (SM)	1
197102	Post #9, Specify Color (DB).....	1
197246	Post #10, Specify Color (SM)	2
197272	Post #10, Specify Color (DB).....	2
211280	Deck Surface #1, Black	1
211281	Deck Surface #2, Black	1
211282	Deck Surface #3, Black	1
211283	Deck Surface #4, Black	1
211284	Deck Surface #5, Black	1
196582	Deck Frame #1, Specify Color	1
196583	Deck Frame #2, Specify Color	1
196584	Deck Frame #3, Specify Color	1
196506	Deck Frame #4, Specify Color	1
196586	Deck Frame #5, Specify Color	1
197004	Stump Seat #1, Specify Color	1
197050	Stump Seat #2, Specify Color	1
200950	Deck Infill Panel, Specify Color.....	1
222622	Mainstructure Hardware Package	1
100365	3/8" SAE Flat Washer, SST.....	45
100349	3/8" Low Crown Cap Nut, SST	44
151421	3/8" x 1 1/2" FHCS w/Pin.....	44
100196	3/8" x 7/8" BHCS w/Pin, SST	1
100353	3/8" Flange Nut w/Pin, SST.....	1
200978	Motion (SM) Hardware Package	1
100327	3/8" Standard Hex Nuts, SST.....	65
100365	3/8" SAE Flat Washers, SST	65
100263	3/8" x 2 3/4" Expansion Anchors.....	65

DB = Direct Bury
SM = Surface Mount

Deck Frame: Fabricated from 1/4" (6,35 mm) HRPO steel sheet. Finish: ProShield®, color specified.

GripX Deck Surface: 3/4" (19,05 mm) Thick Permalene®, black in color.

Panels: Recycled Permalene, color specified.

Post: Weldment comprised of 2.375" (60,33 mm) O.D. RS20 (.095"-1.05") (2,41 mm - 2,67 mm) wall galvanized steel tubing, 1/4" (6,35 mm) HRPO steel sheet and 7 GA. (.179") (4,55 mm) HRPO steel sheet. Finish: ProShield, color specified.

Fasteners: Primary fasteners shall be socketed and pinned tamperproof in design, stainless steel (SST) per ASTM F 879 unless otherwise indicated (see specific product installation/specifications).

Installation Time: Approx. 30 man hours for entire structure (DB)
Approx. 25 man hours for entire structure (SM)

Fall Height: 32" (813 mm)

Area Required: 24' x 24' (7,31 m x 7,31 m) minimum

Concrete: Approx. 32.75 cu. ft. for entire structure (DB)

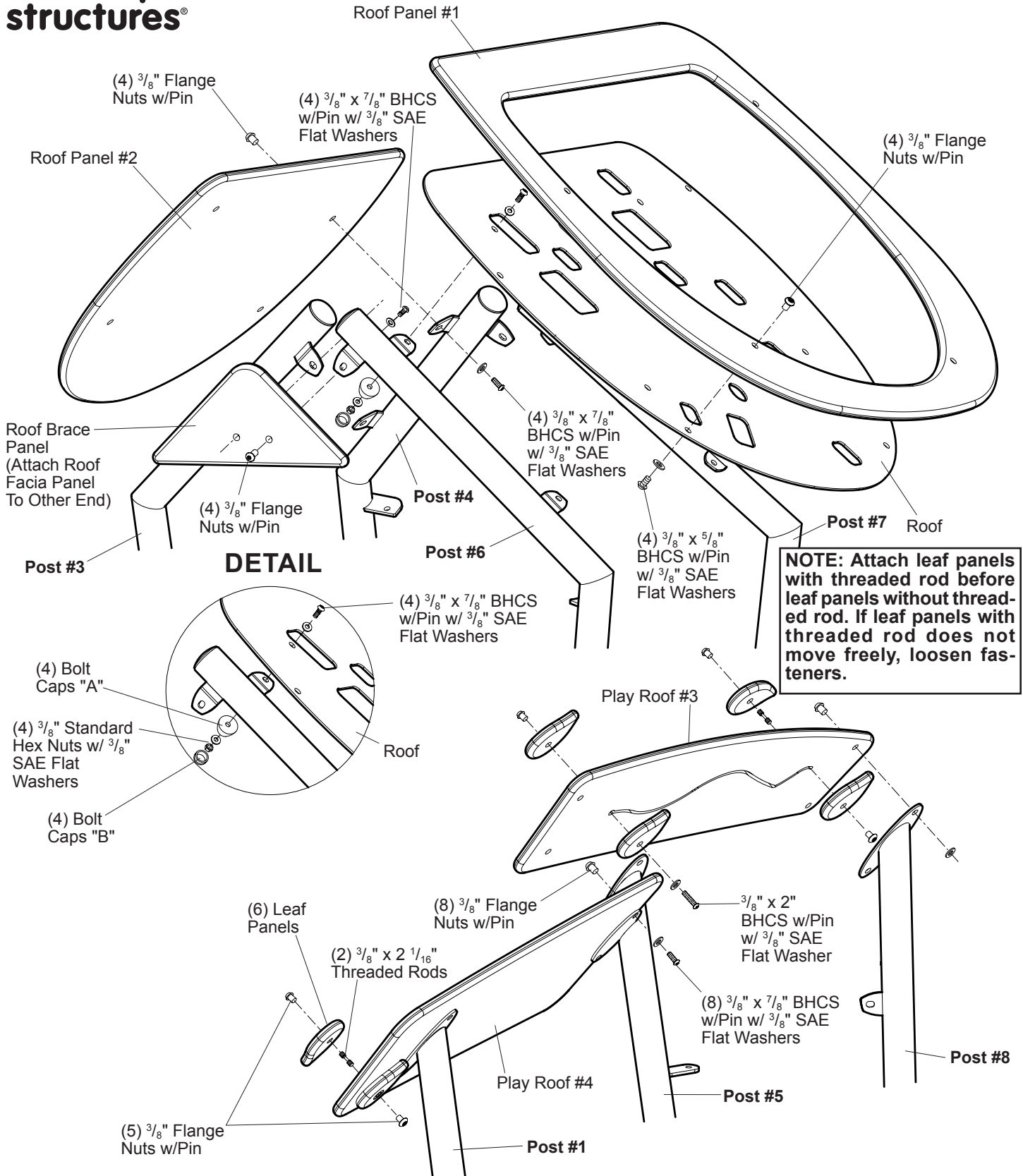
Weight: 1100 lbs. (DB)

950 lbs. (SM)

Height: 100" (2,54 m) Top Of Roof To Finished Grade

Installation Instructions

- (Direct Bury)** Dig footings spaced as shown. Orient posts correctly and set in proper footing holes.
- Starting with the highest deck, attach deck frames and decks to posts. Level decks. Continue until all deck frames and decks are in position.
- Install stump seat panels to deck frame.
- Attach deck infill panel.
- Attach remaining components and panels according to their respective installation sheets.
- (Direct Bury)** With structure square, plumb and level, pour concrete footings. Allow concrete to cure a minimum of 72 hours before users are allowed to play on the structure.
Surface Mount - Drill 3/8" x 3" deep holes through post and footer plates into concrete slab using 3/8" masonry bit and hammer drill. Tap 3/8" x 2 3/4" expansion anchors into drilled holes and fasten with 3/8" standard hex nuts and 3/8" SAE flat washers.
- Install protective surfacing before users are allowed to play on the structure.



NOTE: Attach leaf panels with threaded rod before leaf panels without threaded rod. If leaf panels with threaded rod does not move freely, loosen fasteners.

Roof

Installation Instructions

Part#	Description	Qty.
200383	Roof 2 Panel Set, Specify Color	1
196802	Roof Panel #1, Specify Color.....	1
196805	Roof Panel #2, Specify Color.....	1
196807	Roof Panel #3, Specify Color.....	1
196833	Roof Panel #4, Specify Color.....	1
196810	Roof, Specify Color.....	1
196806	Roof Brace Panel, Specify Color.....	1
199316	Play Roof Facia Panel, Specify Color.....	1
197233	Leaf Panel, Specify Color.....	6
200946	Motion Roofs Hardware Package	1
100195	3/8" x 5/8" BHCS w/Pin, SST	4
100196	3/8" x 7/8" BHCS w/Pin, SST	20
100327	3/8" Standard Hex Nut, SST	4
100353	3/8" Flange Nut w/Pin, SST.....	25
100365	3/8" SAE Flat Washer, SST.....	28
100173	3/8" x 2" BHCS w/Pin, SST.....	1
123115	3/8" x 2 1/16" Threaded Rod.....	2
108184	Bolt Cap Part A, White.....	4
108185	Bolt Cap Part B, White.....	4

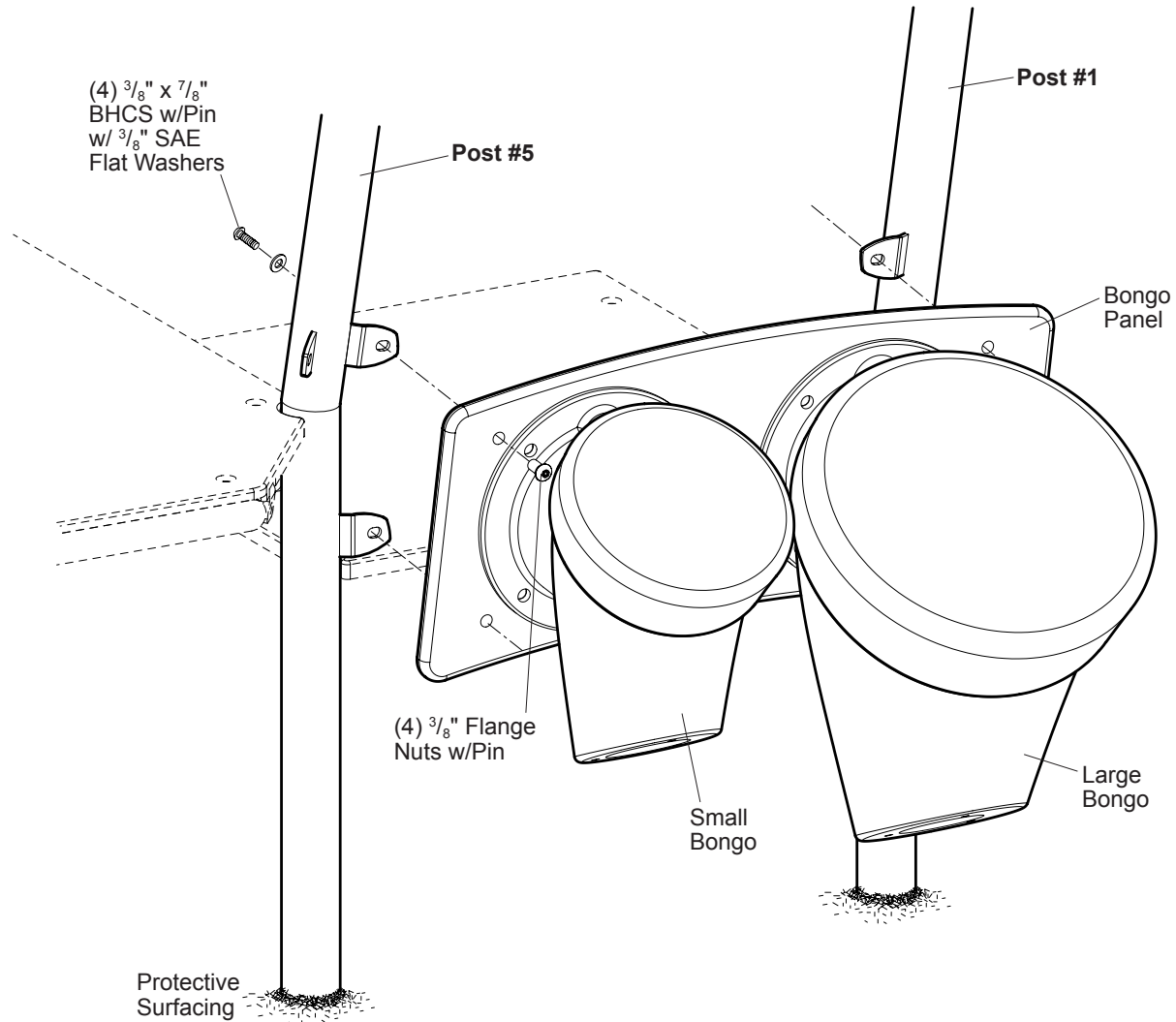
- 1) Attach leaf panels to roof panels.
- 2) Attach roof and roof panels to post tabs.

Specifications

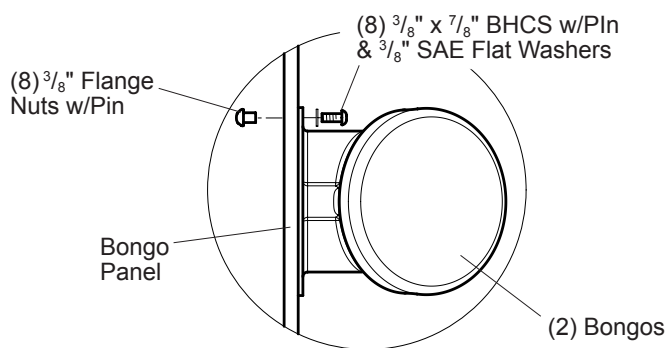
Panels: Recycled Permalene® panel, color specified.

Roof: Fabricated from 7 GA. (.179") (4,55 mm) HRPO steel sheet. Finish: ProShield®, color specified.

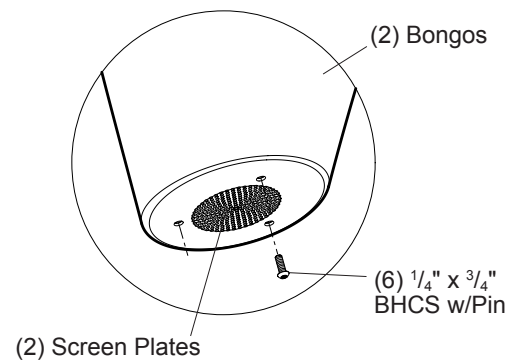
Fasteners: Primary fasteners shall be socketed and pinned tamperproof in design, stainless steel (SST) per ASTM F 879 unless otherwise indicated (see specific product installation/specifications).



**DETAIL
BONGO ATTACHMENT**



**DETAIL
SCREEN ATTACHMENT**



NOTE: Screen plates attach (flat side to flat side) to inside of Bongos.

Bongo Panel

Parts List

Part#	Description	Qty.
163911	Small Bongo, Specify Color.....	1
163912	Large Bongo, Specify Color.....	1
196817	Bongo Panel, Specify Color	1
164523	Screen Plate, Black.....	2
200949	Bongo Panel Hardware Package	1
100196	3/8" x 7/8" BHCS w/Pin, SST	12
100353	3/8" Flange Nut w/Pin, SST	12
100365	3/8" SAE Flat Washers, SST	12
162374	1/4" x 3/4" BHCS w/Pin, SST	6
127463	T-27 TPP Hex Bit (Torx)	1

Specifications

Panel: Recycled Permalene® panel, color specified.

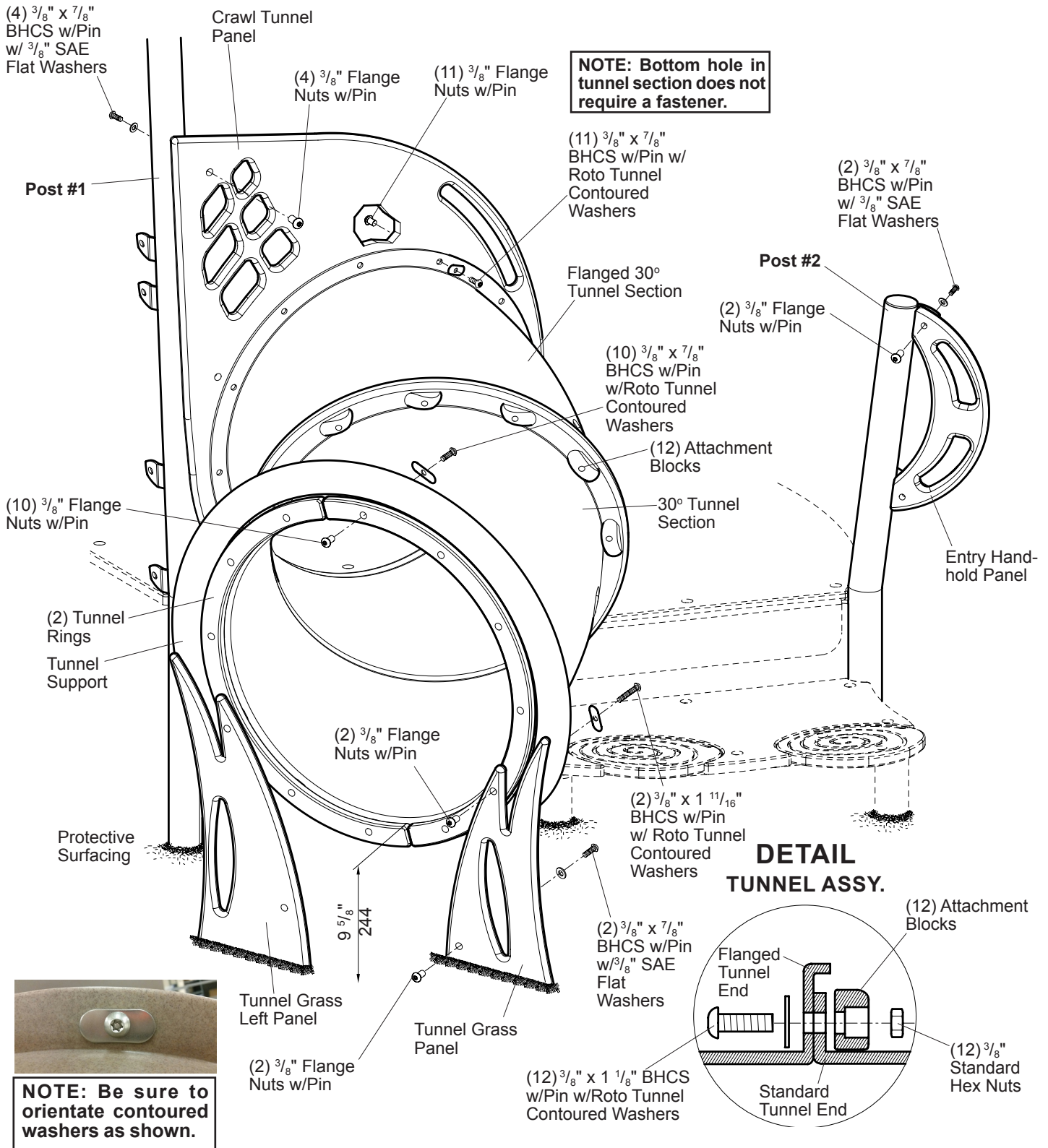
Bongo: Rotationally molded from U.V. stabilized linear low density polyethylene, color specified.

Screen Plate: Fabricated from 12 GA. (.105") (2,67 mm) HRPO flat steel. Finish: ProShield®, black in color.

Fasteners: Primary fasteners shall be socketed and pinned tamperproof in design, stainless steel (SST) per ASTM F 879 unless otherwise indicated (see specific product installation/specifications).

Installation Instructions

- 1) Attach screen plates to bongos. **NOTE:** Screen plates attach (flat side to flat side) to inside of Bongos.
- 2) Attach Bongos to Bongo Panel.
- 3) Attach Bongo Panel to post tabs.



NOTE: Be sure to orientate contoured washers as shown.

Crawl Tunnel

Installation Instructions

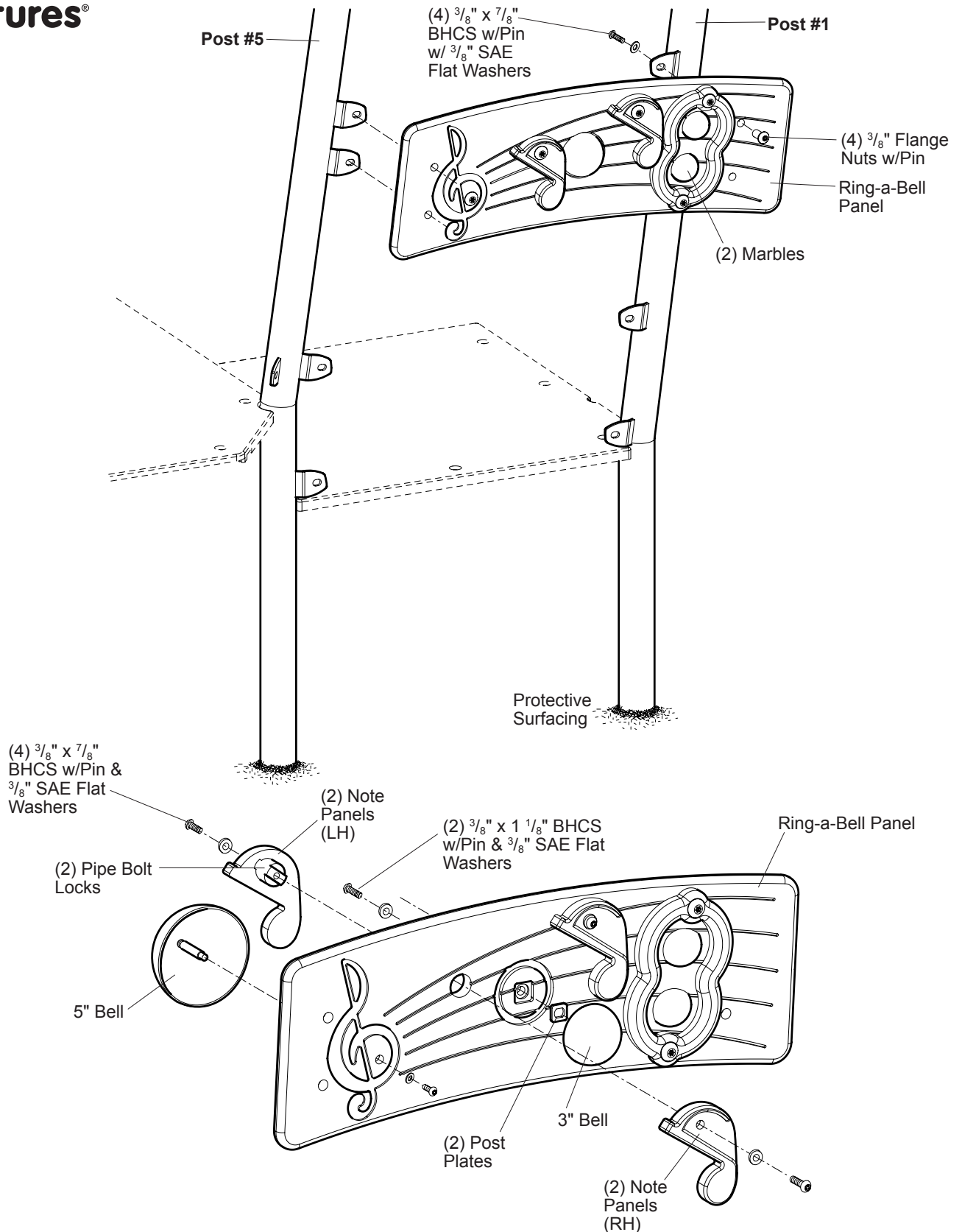
Part#	Description	Qty.
201077	Tunnel Ring Panel, Specify Color.....	2
196827	Crawl Tunnel Panel, Specify Color.....	1
200748	Tunnel Grass Left Panel, Specify Color.....	1
198121	Tunnel Grass Panel, Specify Color.....	1
108175	30° Tunnel Section, Specify Color.....	1
108177	Flanged 30° Tunnel Section, Specify Color.....	1
200498	Tunnel Support, Specify Color (SM)	1
201075	Tunnel Support, Specify Color (DB)	1
133047	Attachment Block, Specify Color.....	12
197232	Entry Handhold Panel, Specify Color.....	1
219162	Crawl Tunnel Hardware Package	1
100196	3/8" x 7/8" BHCS w/Pin, SST.....	29
100198	3/8" x 1 1/8" BHCS w/Pin, SST.....	12
123224	3/8" x 1 11/16 BHCS w/Pin, SST.....	2
100353	3/8" Flange Nut w/Pin, SST.....	31
100365	3/8" SAE Flat Washer, SST.....	8
216834	Roto Tunnel Contoured Washer, SST.....	35
100327	3/8" Standard Hex Nut, SST.....	12

DB = Direct Bury
SM = Surface Mount

- 1) Attach crawl tunnel panel to post and deck tabs.
- 2) Attach crawl tunnel sections to crawl tunnel panel.
- 3) Attach tunnel support, tunnel ring panels and grass panels to crawl tunnel.
- 4) Attach entry handhold panel to post tabs.

Specifications

- Panels:** Recycled Permalene® panel, color specified.
- Tunnel Section:** Rotationally molded from U.V. stabilized linear low density polyethylene, color specified.
- Tunnel Support:** Weldment comprised of 2.375" (60,33 mm) O.D. RS20 (.095"-.105") (2,41 mm - 2,67 mm) wall galvanized steel tubing, and 1/8" (.125") (3,18 mm) HRPO steel sheet. Finish: ProShield®, color specified.
- Attachment Block:** U.V. stabilized high-density polyethylene, color specified.
- Fasteners:** Primary fasteners shall be socketed and pinned tamperproof in design, stainless steel (SST) per ASTM F 879 unless otherwise indicated (see specific product installation/specifications).



Ring-a-Bell Panel

Parts List

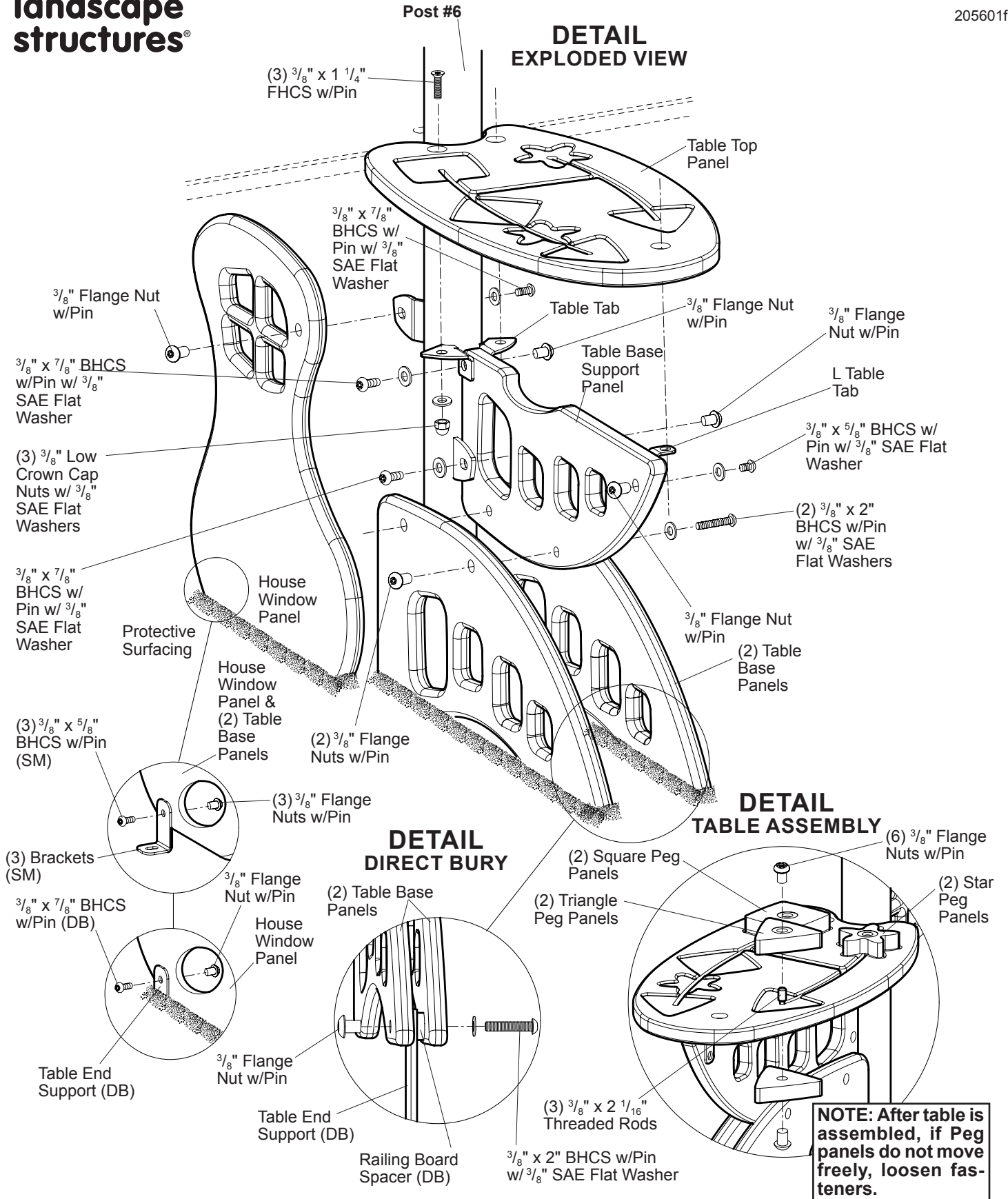
Part#	Description	Qty.
197308	Note Panel (RH), Specify Color.....	2
197309	Note Panel (LH), Specify Color.....	2
158433	3" Bell, Specify Color	1
158434	5" Bell, Specify Color	1
200770	Ring-a-Bell Panel, Specify Color.....	1
219272	Ring-a-Bell Hardware Package	1
100196	$\frac{3}{8}$ " x $\frac{7}{8}$ " BHCS w/Pin, SST.....	8
100198	$\frac{3}{8}$ " x 1 $\frac{1}{8}$ " BHCS w/Pin, SST.....	2
100353	$\frac{3}{8}$ " Flange Nut w/Pin, SST.....	4
100365	$\frac{3}{8}$ " SAE Flat Washers, SST.....	10
158335	Bell Post Plate, SST.....	2
197312	Pipe Bolt Lock, Aluminum.....	2

Specifications

- Panels:** Recycled Permalene®, color specified.
- Marble:** 2" Diameter glass.
- Bells:** Fabricated from 10 GA. (.135") HRPO low carbon steel. Finish: ProShield®, color specified.
- Fasteners:** Primary fasteners shall be socketed and pinned tamperproof in design, stainless steel (SST) per ASTM F 879 unless otherwise indicated (see specific product installation/specifications).

Installation Instructions

- 1) Attach panel to post tabs.
- 2) Attach Note panels and pipe bolt locks to Ring-a-Bell panel.
- 3) Insert post plates into bell panel cutouts. Attach bells to Ring-a-Bell panel, as shown.



NOTE: After table is assembled, if Peg panels do not move freely, loosen fasteners.

Table

Parts List

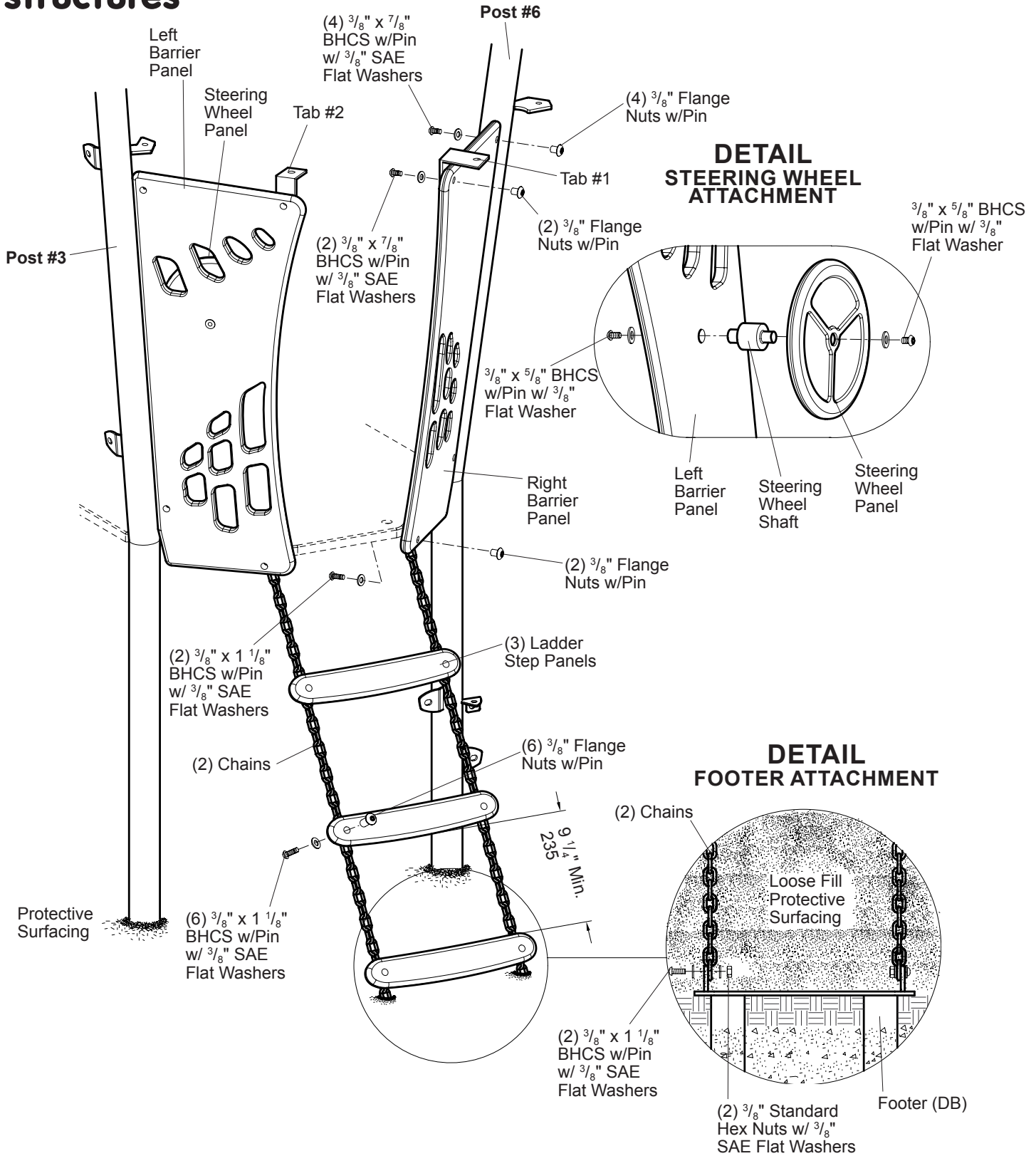
Part#	Description	Qty.
197306	Table Tab, Specify Color.....	1
204724	Angle Bracket, SST. (SM).....	3
197307	L Table Tab, Specify Color.....	1
197054	House Panel, Specify Color.....	1
197055	Table Base Panel, Specify Color.....	2
197056	Table Base Support Panel, Specify Color.....	1
197069	Table Top Panel, Specify Color.....	1
197116	Star Peg Panel, Specify Color.....	2
197117	Square Peg Panel, Specify Color.....	2
197118	Triangle Peg Panel, Specify Color.....	2
201029	End Panel Support, (DB), Specify Color.....	2
207485	Railing Board,Spacer, (DB).....	1
203618	Play Table Hardware Package	1
100196	3/8" x 7/8" BHCS w/Pin, SST.....	4
100173	3/8" x 2" BHCS w/Pin, SST.....	3
100252	3/8" x 1 1/4" FHCS w/Pin, SST.....	3
100349	3/8" Low Crown Cap Nut, SST.....	3
100353	3/8" Flange Nut w/Pin, SST.....	15
123115	3/8" x 2 1/16" Threaded Rod.....	3
100365	3/8" SAE Flat Washer, SST.....	10
100195	3/8" x 5/8" BHCS w/Pin, SST.....	4

Installation Instructions

- 1) Attach table base support panel and house window panel to post tabs.
- 2) Attach table base panels to table base support panel.
- 3) Attach table top panel to post tabs and L table tab.
- 4) Attach peg panels to table top panel.
- 5) Attach angle brackets/supports to table base panels.

Specifications

- Panels:** Recycled Permalene®, color specified.
- End Panel Supt.:** Weldment comprised of 1/4" (6,35 mm) HRPO steel sheet and 3/8" (9,53 mm) re-bar. Finish: ProShield, color specified.
- Fasteners:** Primary fasteners shall be socketed and pinned tamperproof in design, stainless steel (SST) per ASTM F 879 unless otherwise indicated (see specific product installation/specifications).



Chain Ladder

Parts List

Part#	Description	Qty.
200775	Chain Ladder Footer, (DB).....	1
200760	Chain Ladder Footer, (SM).....	1
196657	Barrier Panel, (R), Specify Color.....	1
196655	Barrier Panel, (L), Specify Color.....	1
200723	Steering Wheel Panel, Specify Color.....	1
152053	37 1/2" Chain, (SM), Specify Color.....	2
152048	49 13/16" Chain, (DB), Specify Color.....	2
197074	Ladder Step Panel, Specify Color.....	3
197070	Tab #1, Specify Color.....	1
197071	Tab #2, Specify Color.....	1
203620	Chain Ladder Hardware Package	1
100195	3/8" x 5/8" BHCS w/Pin, SST.....	2
100196	3/8" x 7/8" BHCS w/Pin, SST.....	6
100198	3/8" x 1 1/8" BHCS w/Pin, SST.....	10
100327	3/8" Standard Hex Nut, SST.....	2
100353	3/8" Flange Nut w/Pin, SST.....	14
100362	3/8" Flat Washer, SST.....	2
100365	3/8" SAE Flat Washer, SST.....	18
200550	Steering Wheel Shaft, Aluminum.....	1

DB = Direct Bury

SM = Surface Mount

Specifications

Panels: Recycled Permalene® panel, color specified.

Chain: Steel 3/16" (4,75 mm) straight link chain, 800 lb. (362,87 kilograms) working load limit. Finish: TenderTuff, color specified.

Chain

Ladder Footer: Weldment comprised of 1.900" (48,26 mm) O.D. RS20 (.090"-1.00") (2,29 mm - 2,54 mm) wall galvanized steel tubing and 1/4" (6,35 mm) HRPO steel sheet. Finish: ProShield®, color specified.

Fasteners: Primary fasteners shall be socketed and pinned tamperproof in design, stainless steel (SST) per ASTM F 879 unless otherwise indicated (see specific product installation/specifications).

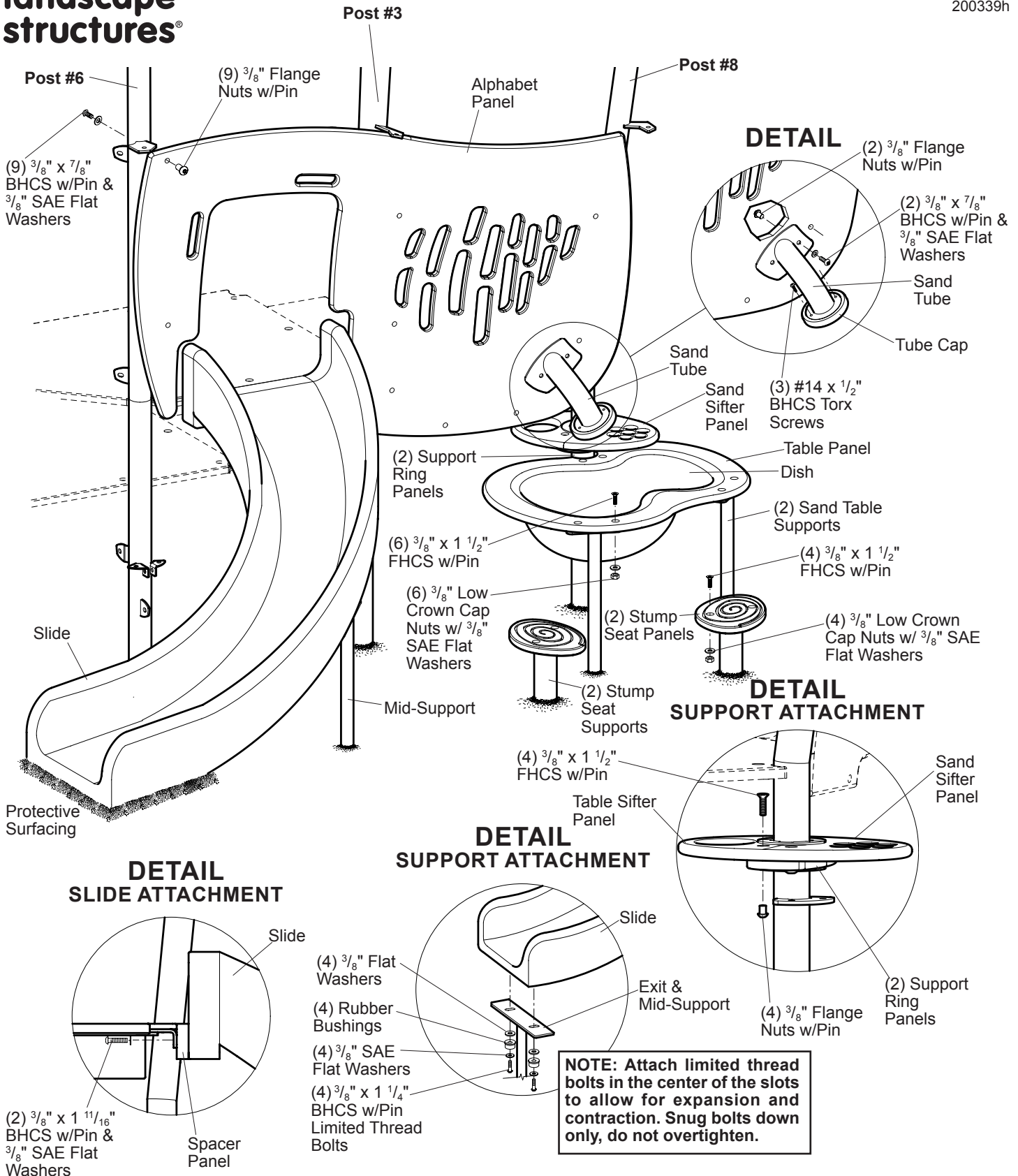
Installation Instructions

- 1) Attach panels to post tabs.
- 2) Attach panels and chain to deck frame tabs.
- 3) Attach steering wheel to left barrier panel.
- 4) Attach ladder steps to chains.
- 5) **(Direct Bury)** Determine footing locations by pulling chain ladder tight and laying end on subgrade. Drill footing holes 2" out from end of where chain ladder meets subgrade.

Fasten chain ladder to support.

Pour concrete into footing holes. Push chain ladder support into concrete until chain ladder is tight and top of support is positioned flush with top of subgrade. Temporarily weigh support down so it remains in position until concrete has set.

(Surface Mount) Attach support to chain ladder. Pull chain ladder tight and drill 1/2" x 3" deep holes through support using hammer drill and 1/2" masonry bit. Tap expansion anchors into drilled holes. Fasten support to expansion anchors using 1/2" standard hex nuts with 1/2" flat washers.



Slide & Sand Table

Parts List

Part#	Description	Qty.
200985-00	Sand Table Support, (DB), Specify Color	2
200282-00	Sand Table Support, (SM), Specify Color	2
123289-00	Dish (Removable), Blue	1
130740-00	Curved Slide, Specify Color	1
200988-00	Exit Support, (DB), Specify Color	1
200337-00	Exit Support, (SM), Specify Color	1
200987-00	Mid-Support, (DB), Specify Color	1
200338-00	Mid-Support, (SM), Specify Color	1
196792-00	Alphabet Panel Panel, Specify Color	1
197004-00	Stump Seat Panel #1, Specify Color	1
197050-00	Stump Seat Panel #2, Specify Color	1
197080-00	Sand Tube, Specify Color	1
198856-00	Tube Cap Panel, Specify Color	1
197310-00	Sand Sifter Panel, Specify Color	1
197076-00	Table Sifter Panel, Specify Color	1
197313-00	Support Ring Panel, Specify Color	2
196830-00	Table Panel, Specify Color	1
197005-00	Stump Seat Support, (DB), Specify Color	2
200284-00	Stump Seat Support, (SM), Specify Color	2
200954-00	Slide Spacer Panel, Specify Color	1
223312-00	Alphabet Hardware Package	1
100196-00	3/8" x 7/8" BHCS w/Pin, SST	11
100353-00	3/8" Flange Nut w/Pin, SST	15
100365-00	3/8" SAE Flat Washer, SST	23
100362-00	3/8" Flat Washer, SST	8
151421-00	3/8" x 1 1/2" FHCS w/Pin, SST	14
123224-00	3/8" x 1 11/16" BHCS w/Pin, SST	2
100292-00	3/8" x 1 1/4" BHCS w/Pin Ltd. Thread Bolt, SST	4
100349-00	3/8" Low Crown Nut, SST	10
127463-00	T-27 TPP Hex Bit (Torx)	1
129671-00	#14 x 1/2" Torx BHCS, SST	5
111442-00	Rubber Bushing	4

DB = Direct Bury
SM = Surface Mount

Specifications

Slide: Rotationally molded from U.V. stabilized linear low density polyethylene, color specified.

Sand Tube: Weldment comprised of 2.375" (60,33 mm) O.D. RS20 (.095" - .105") (2,41 mm-2,67 mm) galvanized steel tubing and 7 GA. (.179") (4,55 mm) HRPO steel sheet. Finish: ProShield®, color specified.

Dish (Removable): Vacuum formed from U.V. stabilized linear low-density polyethylene, blue in color.

Mid-Support: Weldment comprised of 1.315" (33,40 mm) O.D. RS20 (.080" - .090") (2,03 mm-2,29 mm) galvanized steel tubing, and 1/4" (6,35 mm) HRPO steel sheet. Finish: ProShield, color specified.

Sand Table Support: Weldment comprised of 1.315" (33,40 mm) O.D. RS20 (.080" - .090") (2,03 mm-2,29 mm) galvanized steel tubing, and 1/4" (6,35 mm) HRPO steel sheet. Finish: ProShield, color specified.

Exit Footer: Weldment comprised of 2.375" (60,33 mm) O.D. x .188" (4,78 mm) wall galvanized steel tubing, and 1/4" (6,35 mm) HRPO steel sheet. Finish: ProShield, color specified.

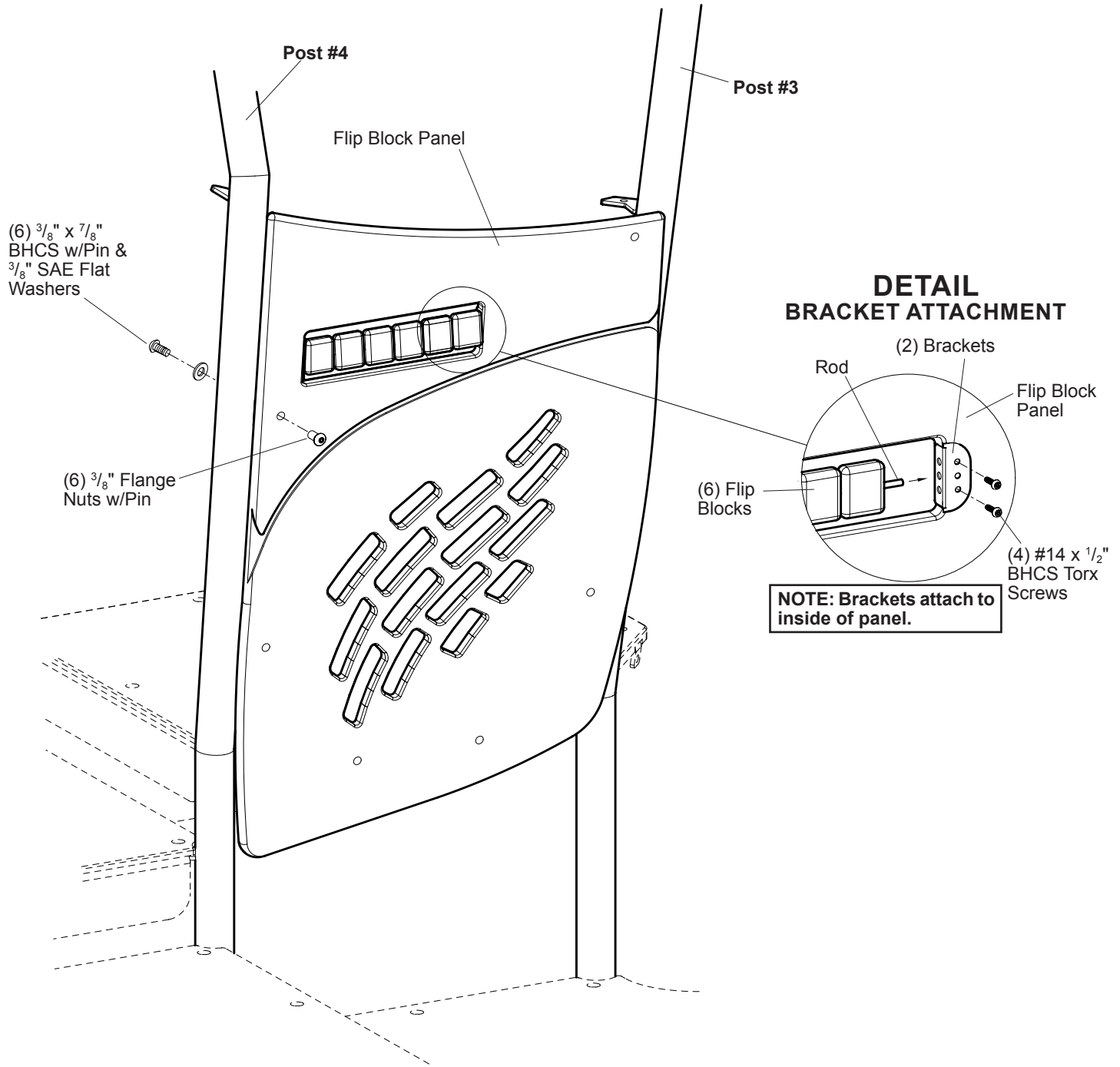
Stump Seat Support: Weldment comprised of 2.375" (60,33 mm) O.D. x .188" (4,78 mm) wall galvanized steel tubing, and 1/4" (6,35 mm) HRPO steel sheet. Finish: ProShield, color specified.

Panels: Recycled Permalene®, color specified.

Fasteners: Primary fasteners shall be socketed and pinned tamperproof in design, stainless steel (SST) per ASTM F 879 unless otherwise indicated (see specific product installation/specifications).

Installation Instructions

- 1) Attach alphabet panel to post tabs and deck frame tabs.
- 2) Attach exit and mid-supports to slide. **NOTE:** Attach bolts in center of the slots to allow for expansion and contraction. Snug bolts down only, do not over-tighten! See Support Attachment Detail.
- 3) Attach slide to deck frame tabs.
- 4) Attach sand tube to alphabet panel. Attach tube cap to sand tube.
- 5) Attach sand sifter panel and support ring panels to post tabs.
- 6) Place dish in table. **OPTIONAL PERMANENT MOUNTING:** Drill 1/8" pilot holes through dish using holes in table as drilling guide. Attach dish to table using #14 x 1/2" torx-pin cap screws.
- 7) Attach table panel to sand table supports and post tab.
- 8) Attach stump seat panels to stump seat supports.



Flip Block Panel

Parts List

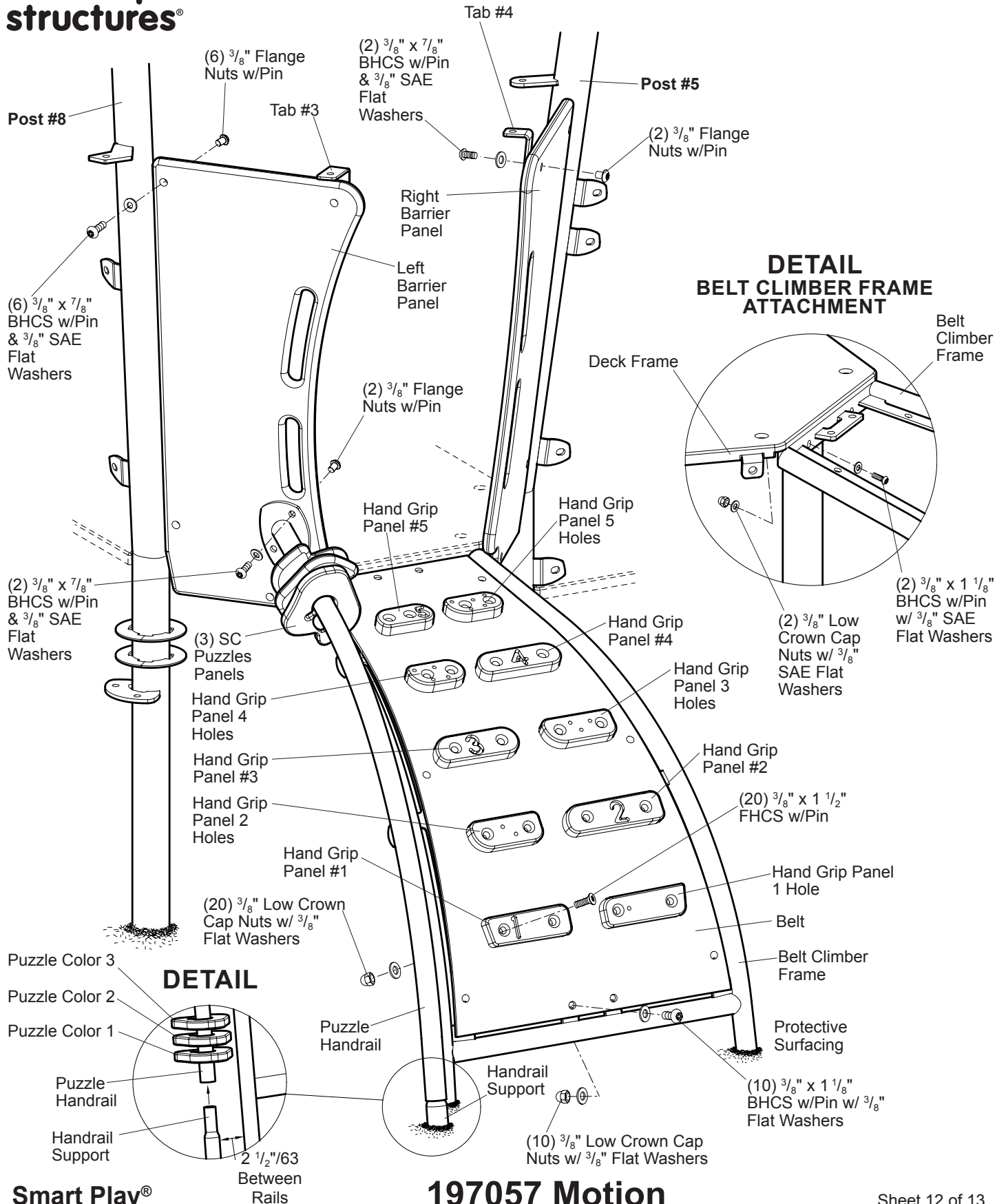
Part#	Description	Qty.
196814	Flip Block Panel, Specify Color.....	1
106151	Flip Block Bracket, SST.....	2
200838	Flip Block 1, Specify Color.....	2
200982	Flip Block 2, Specify Color.....	2
200983	Flip Block 3, Specify Color.....	2
106161	1/4" x 12 3/8" Rod, SST.....	1
200964	Flip Block Hardware Package	1
100196	3/8" x 7/8" BHCS w/Pin, SST.....	6
100353	3/8" Flange Nut w/Pin, SST.....	6
100365	3/8" SAE Flat Washer, SST.....	6
129671	#14 x 1/2" Torx-Pin Cap Screw, SST.....	4
127463	T-27 TPP Hex Bit (Torx).....	1

Installation Instructions

- 1) Attach flip blocks and brackets to flip block panel.
- 2) Attach panel assembly to post tabs.

Specifications

- Panel:** Solid color Permalene® panel, color specified.
- Flip Blocks:** Made from compression-molded 3/4" (19,05 mm) thick U.V. stabilized high-density polyethylene with all edges eased. Black, red and yellow in color.
- Fasteners:** Primary fasteners shall be socketed and pinned tamperproof in design, stainless steel (SST) per ASTM F 879 unless otherwise indicated (see specific product installation/specifications).



Belt Climber

Parts List

Part#	Description	Qty.
199551	Hand Grip Panel #1, Specify Color.....	1
199552	Hand Grip Panel 1 Hole, Specify Color.....	1
199553	Hand Grip Panel #2, Specify Color.....	1
199554	Hand Grip Panel 2 Holes, Specify Color.....	1
199555	Hand Grip Panel #3, Specify Color.....	1
199556	Hand Grip Panel 3 Holes, Specify Color.....	1
199557	Hand Grip Panel #4, Specify Color.....	1
199558	Hand Grip Panel 4 Holes, Specify Color.....	1
199559	Hand Grip Panel #5, Specify Color.....	1
199560	Hand Grip Panel 5 Holes, Specify Color.....	1
200274	Belt Climber Frame, (SM), Specify Color.....	1
196555	Belt Climber Frame, (DB), Specify Color.....	1
228419	Belt, Black.....	1
196971	Puzzle Handrail, Specify Color.....	1
200273	Handrail Support, (SM), Specify Color.....	1
196974	Handrail Support, (DB), Specify Color.....	1
199776	Puzzle Panel Color #1, Specify Color.....	1
198901	Puzzle Panel Color #2, Specify Color.....	1
200410	Puzzle Panel Color #3, Specify Color.....	1
196653	Left Barrier Panel, Specify Color.....	1
197049	Right Barrier Panel, Specify Color.....	1
197048	Tab #4, Specify Color.....	1
197051	Tab #3, Specify Color.....	1
200965	Belt Climber Hardware Package	1
100196	3/8" x 7/8" BHCS w/Pin, SST.....	10
100198	3/8" x 1 1/8" BHCS w/Pin, SST.....	12
100365	3/8" SAE Flat Washer, SST.....	14
100362	3/8" Flat Washer, SST.....	40
151421	3/8" x 1 1/2" FHCS w/Pin, SST.....	20
100349	3/8" Low Crown Nut, SST.....	32
100353	3/8" Flange Nut w/Pin, SST.....	10

DB = Direct Bury

SM = Surface Mount

Specifications

Belt: Made from .315" (8,00 mm) thick mini rough top 3-ply rubber belting with polyester fabric plys, black in color.

Belt Climber Frame: Weldment comprised of 1.315" (33,40 mm) O.D. RS20 (.080" - .090") (2,03 mm-2,29 mm) galvanized steel tubing, 1/4" (6,35 mm) HRPO steel sheet and 1/8" (.125") (3,18 mm) HRPO steel sheet. Finish: ProShield®, color specified.

Puzzle Handrail: Weldment comprised of 1.315" (33,40 mm) O.D. RS20 (.080" - .090") (2,03 mm-2,29 mm) galvanized steel tubing, and 1/4" (6,35 mm) HRPO steel sheet. Finish: ProShield®, color specified.

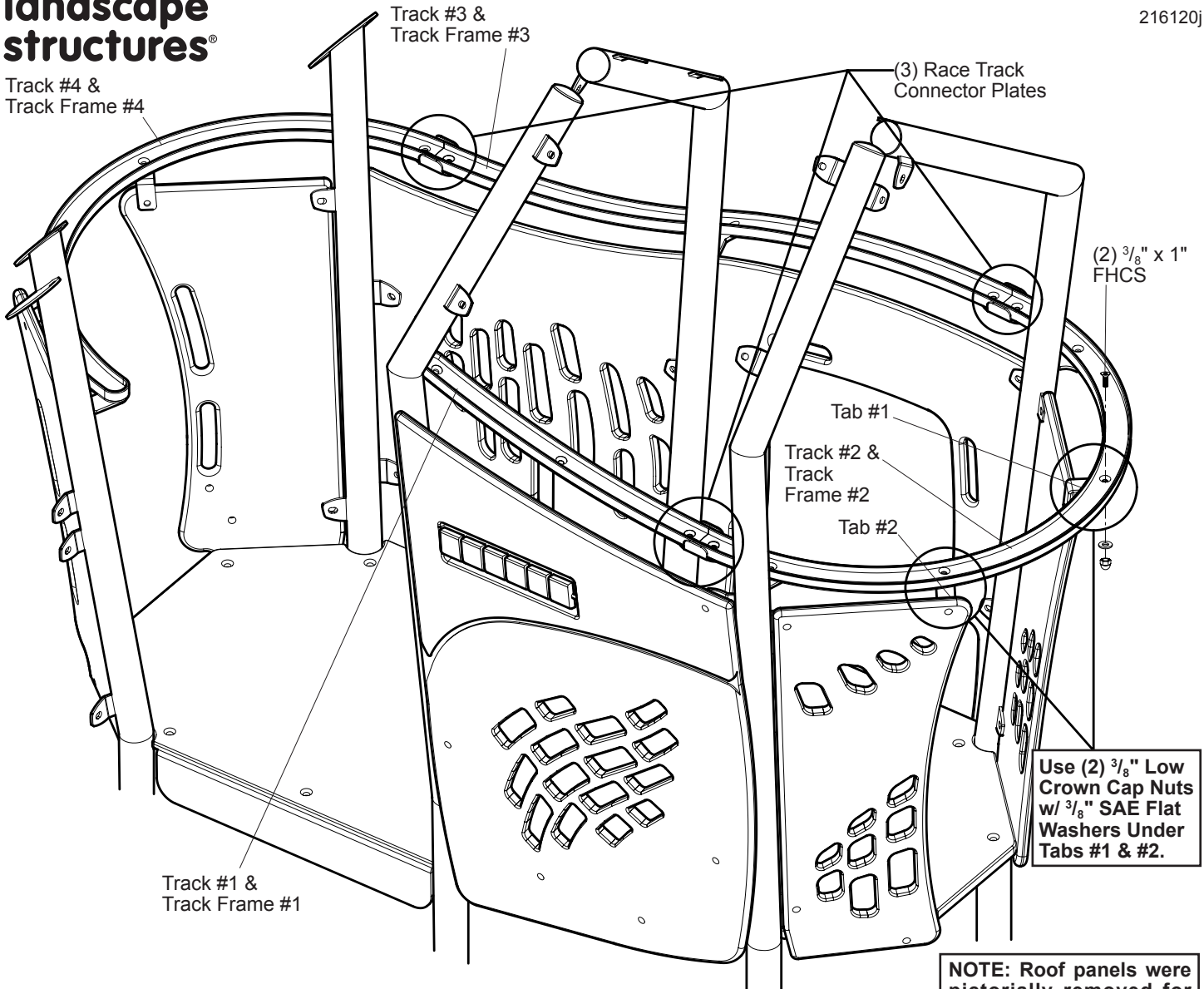
Handrail Support: Weldment comprised of 1.315" (33,40 mm) O.D. RS20 (.080" - .090") (2,03 mm-2,29 mm) galvanized steel tubing. Finish: ProShield®, color specified.

Panels: Recycled Permalene®, color specified.

Fasteners: Primary fasteners shall be socketed and pinned tamperproof in design, stainless steel (SST) per ASTM F 879 unless otherwise indicated (see specific product installation/specifications).

Installation Instructions

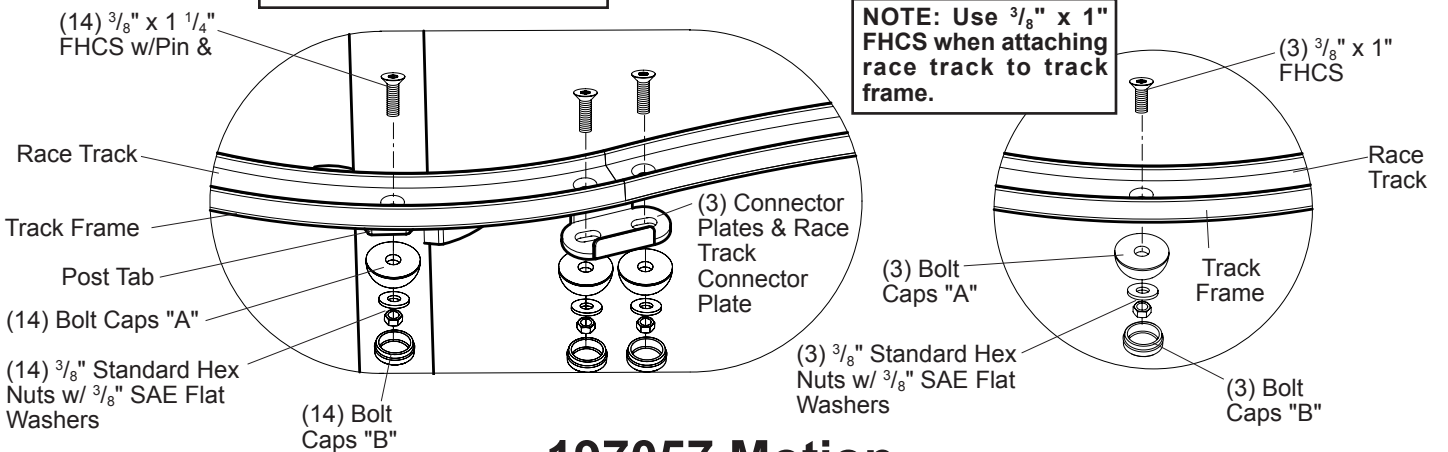
- 1) Attach barrier panels to post tabs and deck frame tabs.
- 2) Attach belt climber frame to deck frame tabs.
- 3) Attach belt to frame.
- 4) Attach hand grip panels to belt.
- 5) Slide puzzle color panels onto puzzle handrail. Insert handrail support into puzzle handrail. Attach puzzle handrail to left barrier panel.



NOTE: Use $\frac{3}{8}$ " x $1\frac{1}{4}$ " FHCS w/Pin when attaching race track and track frame to tabs & connector plates.

NOTE: Roof panels were pictorially removed for clarity.

**DETAIL
 RACE TRACK ATTACHMENT**



Race Track

Parts List

Part#	Description	Qty.
230700	Race Track #1, Black.....	1
230702	Race Track #2, Black.....	1
230701	Race Track #3, Black.....	1
230703	Race Track #4, Black.....	1
196996	Race Track Frame #1, Specify Color	1
197000	Race Track Frame #2, Specify Color	1
197124	Race Track Frame #3, Specify Color	1
197132	Race Track Frame #4, Specify Color	1
201088	Race Track Connector Plate, Specify Color.....	3
200966	Race Track Hardware Package	1
100252	3/8" x 1 1/4" FHCS w/Pin, SST.....	14
137091	3/8" x 1" FHCS, SST.....	5
108184	Bolt Cap Part A, White.....	17
108185	Bolt Cap Part B, White.....	17
100349	3/8" Low Crown Cap Nut, SST	2
100327	3/8" Standard Hex Nut, SST	17
100365	3/8" SAE Flat Washer, SST.....	19

Installation Instructions

- 1) Attach track frames and race tracks to posts and panel tabs. Refer to the Race Track Attachment Detail.
- 2) Install protective surfacing before users are allowed to play on the structure.

Specifications

Race Track: Permalene®, black in color.

Connector Plate: Fabricated from 1/4" (6,35 mm) HRPO steel sheet. Finish: ProShield®, color specified.

Race Track Tab: Fabricated from 7 GA. (.179") (4,55 mm) HRPO steel sheet. Finish: ProShield, color specified.

Race Track Frame: Fabricated from 1/8" (.125") (3,18 mm) HRPO steel sheet. Finish: ProShield, color specified.

Fasteners: Primary fasteners shall be socketed and pinned tamperproof in design, stainless steel (SST) per ASTM F 879 unless otherwise indicated (see specific product installation/specifications).

AB Classic

Features

- Six degree setback provides perfect fit and finish (Approx.)
- Built-in drainage, interlock and engineering
- Easy to Install

The Standard by Allan Block[®]

If you are looking for a perfect blend of performance and style, choose the AB Classic. With a built-in 6° setback, the AB Classic stacks beautifully and creates a smooth, fluid finish for every wall.

Set the standard on your next wall with AB Classic.

The Best Block

by Allan Block[®]

The **hollow core** makes it easy to handle, promotes built-in drainage and becomes rock solid when filled. The patented interlocking raised **front lip** creates a built-in setback and eliminates the need for pins, clips or mortar.



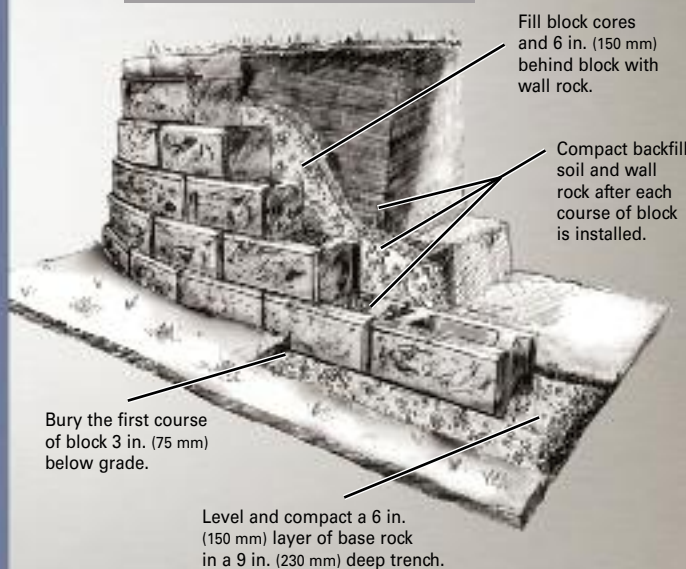
Tackle challenging hillsides.



AB Classic walls look great.



TYPICAL GRAVITY WALL



Maximum Gravity Wall Heights for the AB Classic

CONDITION ABOVE WALL

Level		Surcharge		Slope	
Clay	Sand	Clay	Sand	Clay	Sand
3.0 ft	4.0 ft	1.75 ft	3.0 ft	2.5 ft	3.75 ft
0.9 m	1.2 m	0.55 m	0.9 m	0.8 m	1.1 m

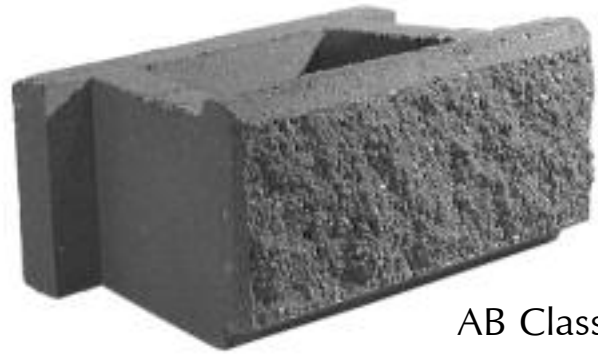
The pressure behind the wall is affected by the type of soil and the conditions above. When wall heights exceed the maximum gravity heights listed in this chart, refer to the soil reinforcement chart on the back.

AMOUNT OF 0.25 in. - 1.5 in. ROCK NEEDED

Base Rock	60 lbs./lin. ft. (90 kg/m)
Wall Rock	105 lbs./per block (48 kg)



Available At:



AB Classic

Specifications:

8 in. H x 12 in. D x 18 in. L
(200 mm H x 300 mm D x 455 mm L)

- Coverage:** Approx. 1 sq. ft. (11 block per m²)
- Set Back:** 6° from vertical (approx.)
- Weight:** 75 lbs. (35 kg)
- Options:** Capstone, Corner Block
- Colors:** Each Allan Block manufacturer offers their own unique color selections.

Contact your local Allan Block Dealer for exact specifications.

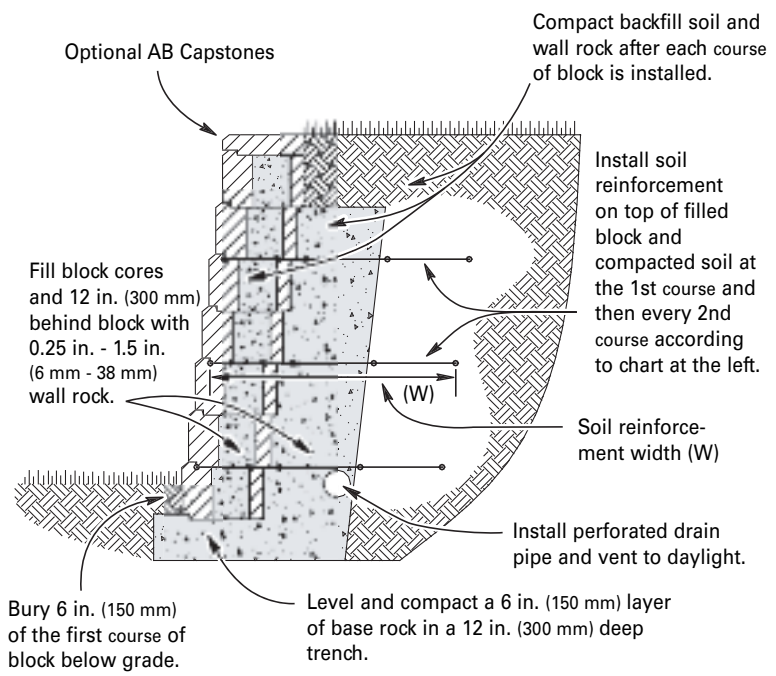
Estimating Guide for AB Classic

Number of AB Classic Needed						Radius Table
APPROX. WALL HEIGHT	WALL LENGTH					
	10 ft 3 m	20 ft 6 m	30 ft 9 m	40 ft 12 m	50 ft 15 m	
8 in (0.2 m)	7	14	20	27	34	4.0 ft (1.2 m)
16 in (0.4 m)	14	28	40	54	68	4.2 ft (1.3 m)
24 in (0.6 m)	21	42	60	81	102	4.4 ft (1.35 m)
32 in (0.8 m)	28	56	80	108	136	4.6 ft (1.4 m)
40 in (1.0 m)	35	70	100	135	170	4.8 ft (1.7 m)
48 in (1.2 m)	42	84	120	162	204	5.0 ft (1.5 m)
56 in (1.4 m)	49	98	140	189	238	5.2 ft (1.6 m)
64 in (1.7 m)	56	112	160	216	272	5.4 ft (1.6 m)
72 in (1.8 m)	63	126	180	248	306	5.6 ft (1.7 m)

Soil Reinforcement Chart for AB Classic					
CONDITION ABOVE WALL	WALL HEIGHT	CLAY SOIL		SANDY SOIL	
		No. of Layers	Width (W)	No. of Layers	Width (W)
Level	4 ft (1.2 m)	2	3 ft	0	0
	5 ft (1.5 m)	3	3 ft	3	3 ft
	6 ft (1.8 m)	4	4 ft	4	4 ft
Surcharge 125 psf	2 ft (0.6 m)	1	3 ft	0	0
	3 ft (0.9 m)	2	3 ft	0	0
	4 ft (1.2 m)	2	3 ft	2	3 ft
	5 ft (1.5 m)	3	3 ft	3	3 ft
	6 ft (1.8 m)	4	4 ft	4	4 ft
Slope 3:1	3 ft (0.9 m)	2	3 ft	0	0
	4 ft (1.2 m)	2	3 ft	2	3 ft
	5 ft (1.5 m)	3	4 ft	3	3 ft
	6 ft (1.8 m)	4	4 ft	4	4 ft

Soil reinforcement increases the strength of the wall by creating a reinforced mass of soil behind the blocks. The weight of the reinforced soil mass combines with the blocks for a heavier, stronger wall.

Typical Section Reinforced Wall



AMOUNT OF 0.25 in. to 1.5 in. ROCK NEEDED	
Base Rock	120 lbs./lin. ft. (178 kg/m)
Wall Rock	165 lbs./per block (75 kg)

Ask for AB Reinforcement Grid.[™]
Available in 3 ft. (0.9 m) or 4 ft. (1.2 m) widths by 50 ft. (15 m) in length.



This information is provided to assist in the proper design and installation of Allan Block walls. Site conditions, varying soil types and local code requirements must be verified. For information on installation, refer to the Allan Block Installation Guide. Final installation is the responsibility of the user.

Consult with your local block supplier, a landscape professional or engineer for more complete information or assistance.